

T-Angle Connector Clamps

Aluminum, Split Assembly

SPECIFICATION

Identification No.

No. **2**: With 4 stainless steel socket cap screws DIN 912

Aluminum

Powder coated

Black, RAL 9005, textured finish **SW**

Plain finish, matte shot-blasted **BL**

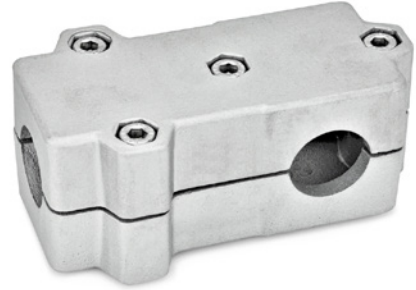
Socket cap screws DIN 912

Stainless steel AISI 304

Hex nuts DIN 985

Stainless Steel AISI 304

Self-locking via polyamide ring



INFORMATION

The clamping bores of T-angle connector clamps GN 193 are not machined and designed for construction tubes GN 990 (see page 1902) or DIN 2391, DIN 2395 and DIN 2462.

The versions with square bores are also suitable for use with **profile systems**.

At the screw locations **z**, the socket cap screws reduce the bore cross-section for clamping.

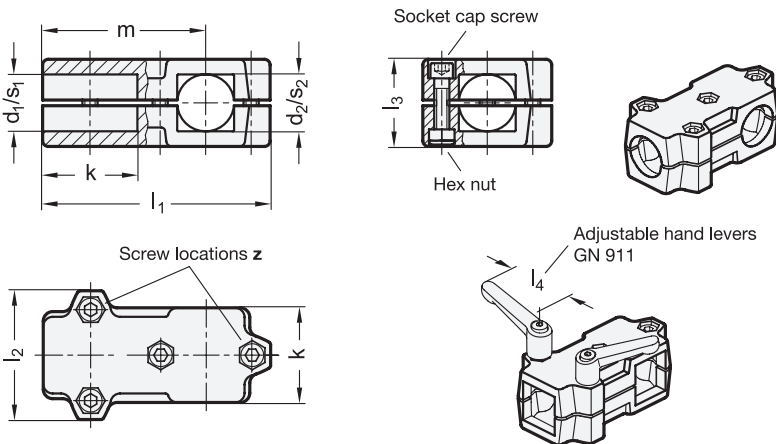
For clamping without tools, the socket cap screws can be replaced by the adjustable hand levers GN 911 (see page 1874) listed in the table as accessories.

ACCESSORY

- Adjustable Hand Levers GN 911 (see page 1874)

TECHNICAL INFORMATION

- Stainless Steel Characteristics (see page A26)



* Complete with


 SW
RAL9005

 BL
Plain finish

GN 193-B-B

Description	d1 Bore	d2 Bore	k Clamping length	l1	l2	l3	m	z Screw locations	Accessory Recom. hand lever GN 911 for z l4	⚖️
GN 193-B20-B20-50-2-*	B 20	B 20	50	120	68	46	86	M8-35	63 78	446
GN 193-B25-B25-50-2-*	B 25	B 25	50	120	68	46	86	M8-35	63 78	436
GN 193-B30-B30-50-2-*	B 30	B 30	50	120	68	46	86	M8-35	63 78	422
GN 193-B30-B30-60-2-*	B 30	B 30	60	141	79	59	101.5	M8-50	63 78	767
GN 193-B32-B32-60-2-*	B 32	B 32	60	141	79	59	101.5	M8-50	63 78	769
GN 193-B35-B35-60-2-*	B 35	B 35	60	141	79	59	101.5	M8-50	63 78	757
GN 193-B40-B40-60-2-*	B 40	B 40	60	141	79	59	101.5	M8-50	63 78	719
GN 193-B40-B40-76-2-*	B 40	B 40	76	176	98	70	127	M10-60	78 92	1198
GN 193-B42-B42-76-2-*	B 42	B 42	76	176	98	70	127	M10-60	78 92	1188
GN 193-B45-B45-76-2-*	B 45	B 45	76	176	98	70	127	M10-60	78 92	1164
GN 193-B48-B48-76-2-*	B 48	B 48	76	176	98	70	127	M10-60	78 92	1134
GN 193-B50-B50-76-2-*	B 50	B 50	76	176	98	70	127	M10-60	78 92	1104

GN 193-B-S

Description	d1 Bore	s1 Square	k Clamping length	l1	l2	l3	m	z Screw locations	Accessory Recom. hand lever GN 911 for z l4	⚖️
GN 193-B20-V20-50-2-*	B 20	V 20	50	120	68	46	86	M8-35	63 78	476
GN 193-B25-V25-50-2-*	B 25	V 25	50	120	68	46	86	M8-35	63 78	452
GN 193-B30-V30-50-2-*	B 30	V 30	50	120	68	46	86	M8-35	63 78	428
GN 193-B30-V30-60-2-*	B 30	V 30	60	141	79	59	101.5	M8-50	63 78	761
GN 193-B35-V35-60-2-*	B 35	V 35	60	141	79	59	101.5	M8-50	63 78	739
GN 193-B40-V40-60-2-*	B 40	V 40	60	141	79	59	101.5	M8-50	63 78	761
GN 193-B40-V40-76-2-*	B 40	V 40	76	176	98	70	127	M10-60	78 92	1118
GN 193-B45-V45-76-2-*	B 45	V 45	76	176	98	70	127	M10-60	78 92	1138
GN 193-B50-V50-76-2-*	B 50	V 50	76	176	98	70	127	M10-60	78 92	1086

GN 193-S-B

Description	s1 Square	d2 Bore	k Clamping length	l1	l2	l3	m	z Screw locations	Accessory Recom. hand lever GN 911 for z l4	⚖️
GN 193-V20-B20-50-2-*	V 20	B 20	50	120	68	46	86	M8-35	63 78	450
GN 193-V25-B25-50-2-*	V 25	B 25	50	120	68	46	86	M8-35	63 78	430
GN 193-V30-B30-50-2-*	V 30	B 30	50	120	68	46	86	M8-35	63 78	410
GN 193-V30-B30-60-2-*	V 30	B 30	60	141	79	59	101.5	M8-50	63 78	394
GN 193-V35-B35-60-2-*	V 35	B 35	60	141	79	59	101.5	M8-50	63 78	755
GN 193-V40-B40-60-2-*	V 40	B 40	60	141	79	59	101.5	M8-50	63 78	720
GN 193-V40-B40-76-2-*	V 40	B 40	76	176	98	70	127	M10-60	78 92	1150
GN 193-V45-B45-76-2-*	V 45	B 45	76	176	98	70	127	M10-60	78 92	1110
GN 193-V50-B50-76-2-*	V 50	B 50	76	176	98	70	127	M10-60	78 92	1070

GN 193-S-S

Description	s1 Square	s2 Square	k Clamping length	l1	l2	l3	m	z Screw locations	Accessory Recom. hand lever GN 911 for z l4	⚖️
GN 193-V20-V20-50-2-*	V 20	V 20	50	120	68	46	86	M8-35	63 78	430
GN 193-V25-V25-50-2-*	V 25	V 25	50	120	68	46	86	M8-35	63 78	420
GN 193-V30-V30-50-2-*	V 30	V 30	50	120	68	46	86	M8-35	63 78	410
GN 193-V30-V30-60-2-*	V 30	V 30	60	141	79	59	101.5	M8-50	63 78	755
GN 193-V35-V35-60-2-*	V 35	V 35	60	141	79	59	101.5	M8-50	63 78	721
GN 193-V40-V40-60-2-*	V 40	V 40	60	141	79	59	101.5	M8-50	63 78	500
GN 193-V40-V40-76-2-*	V 40	V 40	76	176	98	70	127	M10-60	78 92	1158
GN 193-V45-V45-76-2-*	V 45	V 45	76	176	98	70	127	M10-60	78 92	1104
GN 193-V50-V50-76-2-*	V 50	V 50	76	176	98	70	127	M10-60	78 92	1054

Weight BL

